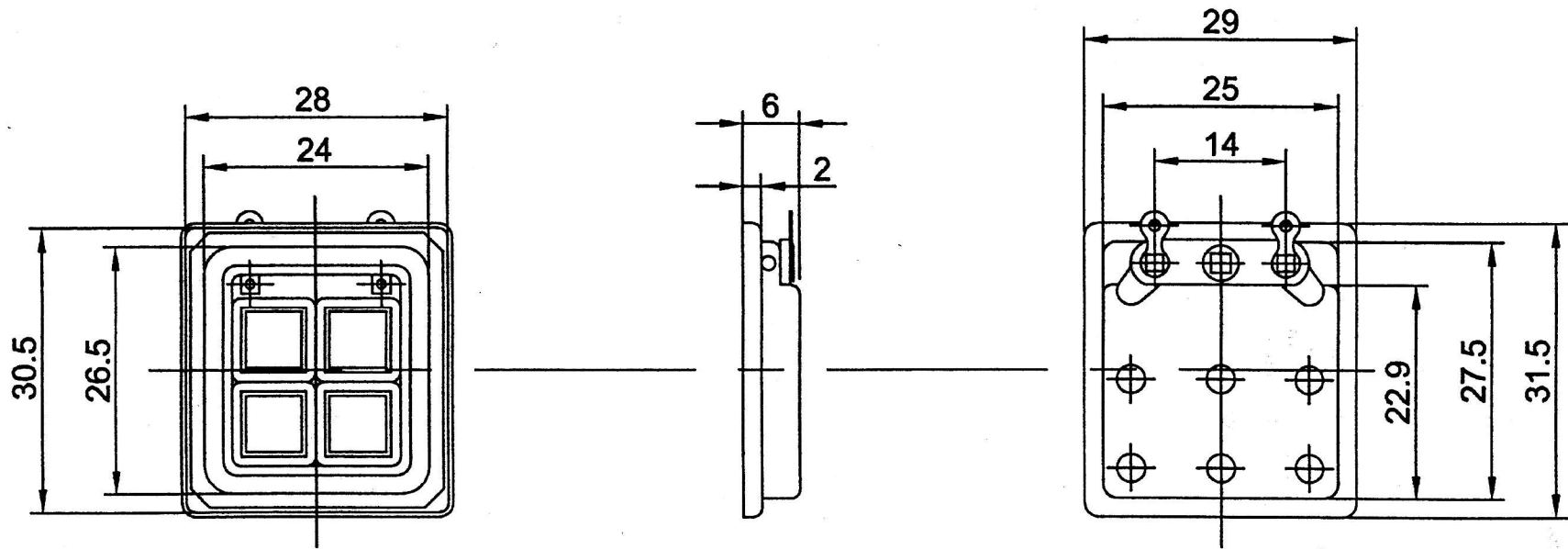


Document Name	Specification Sheet	Page	1/2
Product Name	Flat Panel Speaker		
Customer's Part No.			
Our Part No.	FPS-0202M7C5		
	Item	Specifications	
1	Rated Impedance	4.2Ω ± 15% (DCR)	
2	Lowest Resonance Freq	360Hz ± 20% (1V - Free Air)	
3	Effective Frequency Range	f0 - 20KHz ± 20% (-10dB SPL)	
4	Sound Pressure Level	77dB ± 3dB / W / M (AVR 300, 400, 500, and 600Hz)	
5	Rated Input	2.0W (JIS White Noise 96 Hours)	
6	Maximum Input	4.0W (Music Power)	
7	Harmonic Distortion	Less than 5% (Rated Power 1kHz)	
8	Buzz & Rattle Test	2.0 V (Sine Wave)	
9	Magnet	Rare Earth 7 x 7 x 2.5mm x 4pcs	
10	Outside Dimensions	W29 x H31.5 x D6mm	
11	Weight	8.6g	
Life Test			
12	Operation Temperature Range	-10 - +50°C	
13	Store Temperature Range	-30 - +70°C	
14	Load Test	15 - 20°C, (JIS 2W 96Hours)	
15	Heat Resistance	70°C, 20 - 50%, 96Hours	
16	Humidity Resistance	90 - 95%, 40°C, 96Hours	
17	Cold Test	-30°C, 96Hours	
18	Temperature Cycle Test	-30°C, 70°C 2Hours, 5Cycle	
19	Voltage Isolation Test	AC 100VAC, 1MΩ UPPER (The isolation resistance is greater than 1MΩ when AC 100V is applied between the terminal and the Frame for 1 minute)	
20	Drop and Vibration Test	JIS	
Frequency Response			
<p>The graph displays the frequency response of the speaker. The vertical axis represents Sound Pressure Level (SPL) in dB, ranging from 40 to 100. The horizontal axis represents Frequency in Hz on a logarithmic scale, ranging from 20 to 20,000. The curve starts at approximately 58 dB at 20 Hz, dips to a minimum of about 42 dB between 50 and 100 Hz, then rises to a primary resonance peak of approximately 83 dB at 400 Hz. It then fluctuates between 70 dB and 75 dB up to 10,000 Hz, with a secondary peak of about 78 dB at 8,000 Hz, before settling around 68 dB at 20,000 Hz.</p>			
APVD.	CHK.	DRAW.	Product Dept.
Nakano	Ito	Kobayashi	Date
			3/1/2009
FPS INC. Tokyo Japan			

FPS0202M7C4 OUTLINE



FPS INC.